



QUANTUM®

The Rehab Power Chair Solutions Company

Dealer Prescription Form

Pride Mobility Products Ltd
32 Wedgwood Road, Bicester
Oxon, OX26 4UL
Tel: 01869 324600 Fax: 01869 323 070

Version 1.0 | July 2013
Jazzy Select 6 Synergy® Seat Page 1 of 3

PLEASE REFER TO QUANTUM
REFERENCE CHART, RELATING
TO OPTIONS.

NHS Order: Yes [] No []

Dealership Name:

Order No:.....

Address:

Account No:.....

Tel:

Order Date:.....

Delivery address:

Order Ref:.....

Dealer Jazzy Select 6 Synergy® Prescription Form



STANDARD FEATURES
Adjustable Synergy® Seating System
2 x 30 Amp Batteries
Articulating Rear Castor Beam
Solid Puncture Proof Tyres
PG GC Drive Control System
Standard Footboard
Weight Capacity 21 Stone 6lbs



Section 1

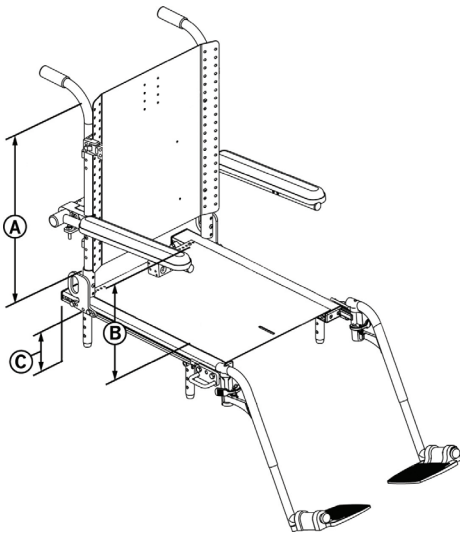
Transportation

PLEASE READ THIS SECTION BEFORE COMPLETING THIS FORM

The Jazzy Select 6 is not suitable for occupied transportation.

Section 2

Specified Dimensions*



Please Supply Client Information:

Client Height: (Please supply)

Client Weight: (Please supply)

A. Back Height from Pan: (Please supply inches)

B. Armrest Height from Pan: (Please supply inches)

C. Seat to Floor Height (Please select one):

Table with columns: Seating System, Low*, Middle, Tall. Row: Synergy® Seat (Standard Towers) with checkboxes for 16.5", 17.5", and 18.5".

Measurement = Floor to seat pan.

Seat to floor height are +/- 1/8" with 18"W x 18"D with Flat-Free tyres (add 3/8" for pneumatic tyres). Increased widths may increase lowest seat to floor heights.

* Lowest STF height may not be available in all configurations based on foot riggings. Contact your Quantum Specialist for available options.

Section 3

Chassis Options

JS6001 Red base [] £1,998

JS6002 Blue base [] £1,998

Section 4

Seating

JS6003 Synergy® - Supplied with tool adjustable backrest, visco padded back, seat cushion and height adjustable arms [x] foc

Section 5

Seat Width (Please select one only)

Table with columns: Synergy® (14 to 20"), JS6004-10, JS6005-09, and foc. Rows for seat widths 14", 15", 16", 17", 18", 19", and 20".



Section 6 Synergy® Seat Depth (Please select one only)							
Synergy® (14 to 20")							
JS6011	14"	<input type="checkbox"/>	foc	JS6012	18"	<input type="checkbox"/>	foc
JS6013	15"	<input type="checkbox"/>	foc	JS6014	19"	<input type="checkbox"/>	foc
JS6015	16"	<input type="checkbox"/>	foc	JS6016	20"	<input type="checkbox"/>	foc
JS6017	17"	<input type="checkbox"/>	foc				
Section 7 Synergy® Accessories - note 7							
Armrests							
JS6018	Quick height adjustable centre mounted	<input type="checkbox"/>	foc	JS6019	Cantilever flip up (Not available with Tension adjustable backrest)]	<input type="checkbox"/>	£280
JS6020	Tool height adjustable centre mounted	<input type="checkbox"/>	£220				
Swing-away Thoracic Laterals-Note 10							
JS6021	3" x 5" (pair)	<input type="checkbox"/>	£257	JS6022	4" x 6" (pair)	<input type="checkbox"/>	£257
Pelvic / Thigh Laterals							
JS6023	Short Pad 4" x 4" (pair)	<input type="checkbox"/>	£157	JS6024	Medium Pad 4" x 8" (pair)	<input type="checkbox"/>	£157
Pommel c/w Flip down bracket							
JS6025	3.5"W x 4"H x 3.25"L	<input type="checkbox"/>	£200	JS6026	4.5"W x 2.75"H x 6"L	<input type="checkbox"/>	£200
JS6027	4"W x 6"H x 3.25"L	<input type="checkbox"/>	£200				
JS6028	Tension Adjustable backrest upholstery (This could increase delivery time)-Note 10				<input type="checkbox"/>	£120	
Section 8 Arm pad Options - note 7 (Please select one option only)							
JS6029	10"L x 2"W straight (pair)	<input type="checkbox"/>	foc	JS6030	9.6"L x 5.5"W Ottobock flat pad flat pad Large (ea) - Note 9	<input type="checkbox"/>	£50
JS6031	14"L x 2"W straight (pair)	<input type="checkbox"/>	foc	JS6032	11.4"L x 4.7"W Ottobock gutter pad Medium (ea)	<input type="checkbox"/>	£140
JS6033	10"L x 3"W Waterfall (pair)	<input type="checkbox"/>	foc	JS6034	14"L x 4.7"W Ottobock gutter pad Large (ea)	<input type="checkbox"/>	£140
JS6035	14"L x 3"W Waterfall (pair)	<input type="checkbox"/>	foc	JS6036	Ottobock swivel pad mount (ea)	<input type="checkbox"/>	£170
JS6037	10"L x 3.5"W Gel Arm Pad (pair)	<input type="checkbox"/>	£130				
JS6038	14"L x 3.5"W Gel Arm Pad (pair)	<input type="checkbox"/>	£160				
JS6039	7.6"L x 4.5"W Ottobock flat pad Medium (ea) - Note 9	<input type="checkbox"/>	£50				
Section 9 Legrests - note 7							
JS6040	Footboard	<input type="checkbox"/>	foc	JS6041	80° Drop in, with angle and depth adjustable flip up footplates (pair) Seat pan to heel measurement required (") (cm)	<input type="checkbox"/>	£340
JS6042	70° Tapered legrests (pair) Seat pan to heel measurement required (") (cm)	<input type="checkbox"/>	£310	JS6043	Stump board Left <input type="checkbox"/> Right <input type="checkbox"/>	<input type="checkbox"/>	£300 Each
JS6044	Adj Swing-away legrests (pair) From 60° to 90° (in 5° increments) (comes as standard set at 70°) Seat pan to heel measurement required (") (cm)	<input type="checkbox"/>	£310	JS6045	Residual Limb support Left <input type="checkbox"/> Right <input type="checkbox"/>	<input type="checkbox"/>	£180 Each
JS6046	70° Drop in, with angle and depth adjustable flip up footplates (pair) Seat pan to heel measurement required (") (cm)	<input type="checkbox"/>	£340	JS6047	Abductor Buttons (pair)	<input type="checkbox"/>	£60
				JS6048	Neoprene sleeves (pair)	<input type="checkbox"/>	£40
Section 10 Headrests - note 7							
JS6049	Rehab headrest - small	<input type="checkbox"/>	£160	JS6050	Stealth headrest - medium	<input type="checkbox"/>	£230
JS6051	Rehab headrest - large	<input type="checkbox"/>	£160	JS6052	Stealth headrest - large	<input type="checkbox"/>	£230



QUANTUM®
The Rehab Power Chair Solutions Company

Version 1.0 | July 2013

Jazzy Select 6 Synergy® Seat Page 3 of 3

Section 11 Controller options

JS6053	RH fixed controller mount	<input type="checkbox"/>	foc
JS6055	LH fixed controller mount	<input type="checkbox"/>	foc
JS6057	RH swing away controller mount	<input type="checkbox"/>	£170
JS6059	LH swing away controller mount	<input type="checkbox"/>	£170
JS6061	Multi axis controller mount (not a swing-away mount)	<input type="checkbox"/>	£56

JS6054	Softball joystick knob	<input type="checkbox"/>	£42
JS6056	T-Bar joystick knob	<input type="checkbox"/>	£42
JS6058	Ball joystick knob	<input type="checkbox"/>	£42
JS6060	Stick joystick knob	<input type="checkbox"/>	£42
JS6062	Ball joystick knob	<input type="checkbox"/>	£42
JS6063	Mushroom joystick knob	<input type="checkbox"/>	£42

Section 12 Pricing Total

Pricing (Please use this section to record your price for this power chair sale)

Total:

[Empty box for total price]

Notes

- 1) All measurements given are approximate.
- 2) Adding some power options may increase delivery times, please call with your order.
- 3) By faxing or mailing this order you accept all responsibility for the configuration ordered.
- 4) Errors made in filling out this order, may result in further charges or delay's.
- 5) If this order has a deadline you must advise us ASAP. We will try to deliver for this date, but cannot accept liability if we are unable to fulfil this order by your deadline.
- 6) Information relating to crash testing is correct at time of printing. Pride Mobility constantly reviews and updates this information, if you require further information about crash testing, please contact your Area Manager.
- 7) Please refer to Quantum reference chart, relating to options.
- 8) Overall width 7" wider, then backrest
- 9) To be used with Ottobock gutter pad
- 10) Thoracic Laterals are not compatible with the Tension adjustable backrest



QUANTUM®
The Rehab Power Chair Solutions Company